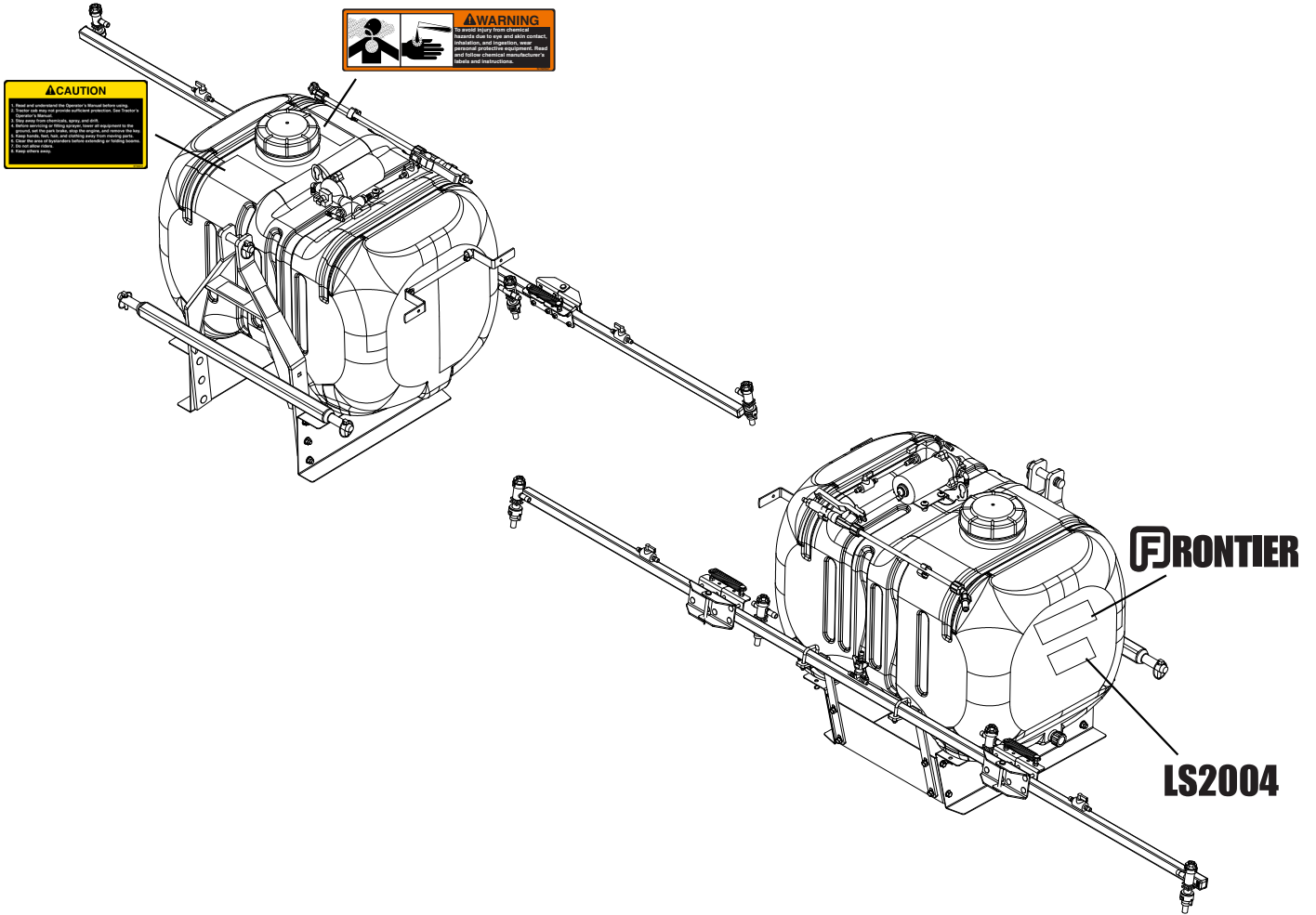


PARTS DIAGRAMS

Safety Decals Kit and Model Decals



1 - English
2 - French
3 - Spanish

4 - English
5 - French
6 - Spanish

OPERATOR'S MANUAL

LIQUID SPRAYER

LS2004

FRONTIER

Operator's Manual and Safety Decal Kit

FRONTIER

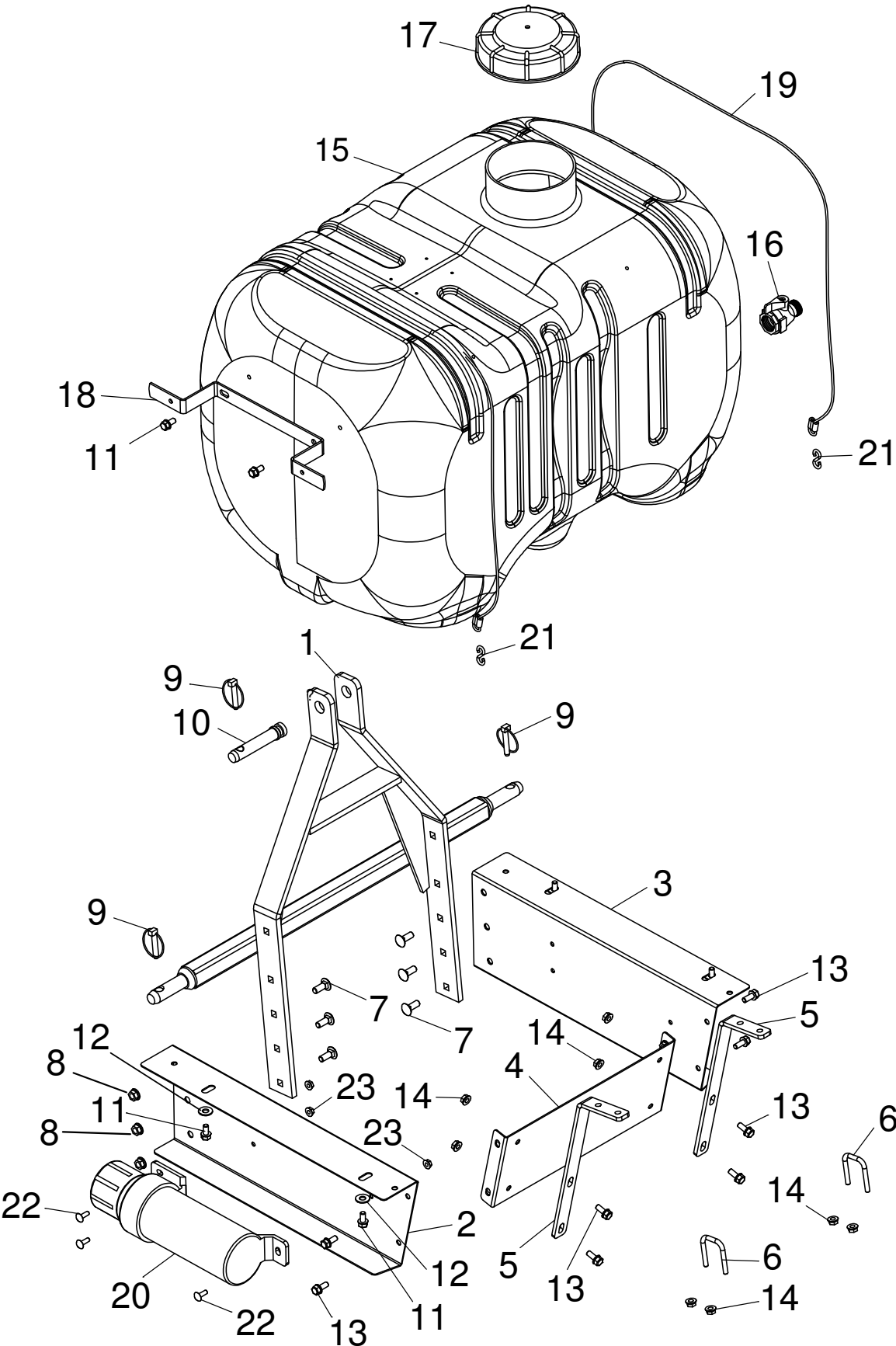
LS2004

Replacement Decal Kit

Safety Decals Kit and Model Decals

ITEM NO.	PART NUMBER	DESCRIPTION	QTY.	Note
1	5CS0024	OM and Safety Decal Kit - English	1	Includes Operator's Manual, Caution Label and Warning Label
2	5CS0027	OM and Safety Decal Kit - French	1	
3	5CS0030	OM and Safety Decal Kit - Spanish	1	
4	5CS43997	Replacement Decal Kit - English	1	Includes Caution Label, Warning Label, Frontier Decal and Model Decal
5	5CS43998	Replacement Decal Kit - French	1	
6	5CS43999	Replacement Decal Kit - Spanish	1	

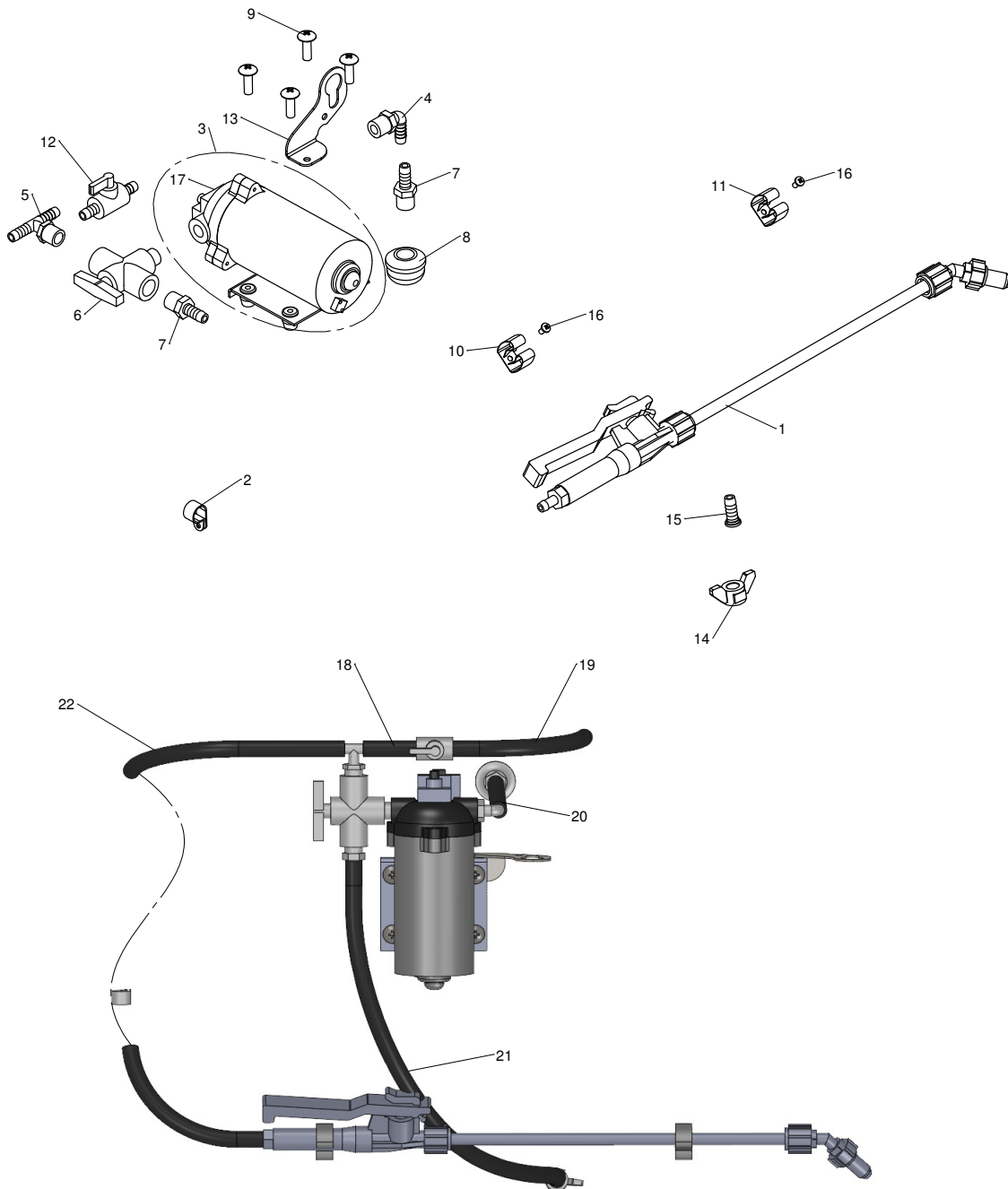
Frame and Tank



Frame and Tank

ITEM NO.	PART NUMBER	DESCRIPTION	QTY.	Note
1	5CS61500	3 Point A Frame	1	
2	5CS61502	Frame Base Left	1	
3	5CS61503	Frame Base Right	1	
4	5CS61504	Frame Base Rear	1	
5	5CS61505	Boom Support	2	
6	5CS43315	5/16" x 1-3/4" Square U-Bolt	2	
7	03H1500	3/8" x 1" Carriage Bolt	6	
8	E55662	3/8" Flange Nut	6	
9	5CS43398	Lynch Pin	3	
10	5CS43399	Top Link Pin, Cat 1	1	
11	T58694	5/16" x 5/8" Flange Bolt	6	
12	T406296	3/8" Flat Washer	4	
13	5CS65007	5/16" x 3/4" Flange Bolt	8	
14	A22698	5/16" Flange Nut	12	
15	5CS43530	Tank 45 Gallon	1	
16	5CS43981	Garden Hose Shut-off Valve	1	
17	5CS43175	Tank Lid 6"	1	
18	5CS62006	Hose Hanger	1	
19	5CS61511	Cable Lanyard w/ I-hook	2	
20	5CS43950	Manual Canister	1	
21	5CS61512	S-hook	2	
22	03H1701	1/4" x 3/4" Carriage Bolt	3	
23	N10217	1/4" Flange Nut	3	
-	5CS50912	Battery Harness	1	Not Illustrated
-	5CS50913	Chasis Harness	1	Not Illustrated
-	5CS50914	Switch Harness	1	Not Illustrated
-	5CS50915	Sprayer Extension Harness	1	Not Illustrated
-	5CS48616	Fir Tree w/ wire tie	1	Not Illustrated
-	5CS43984	Edge Clip w/ wire tie	1	Not Illustrated
-	5CS43985	Grommet 24.75 mm	1	Not Illustrated
-	5CS43986	Wire Tie, Black Nylon UV, 10"	10	Not Illustrated

2.2 GPM Pump and Hand Sprayer

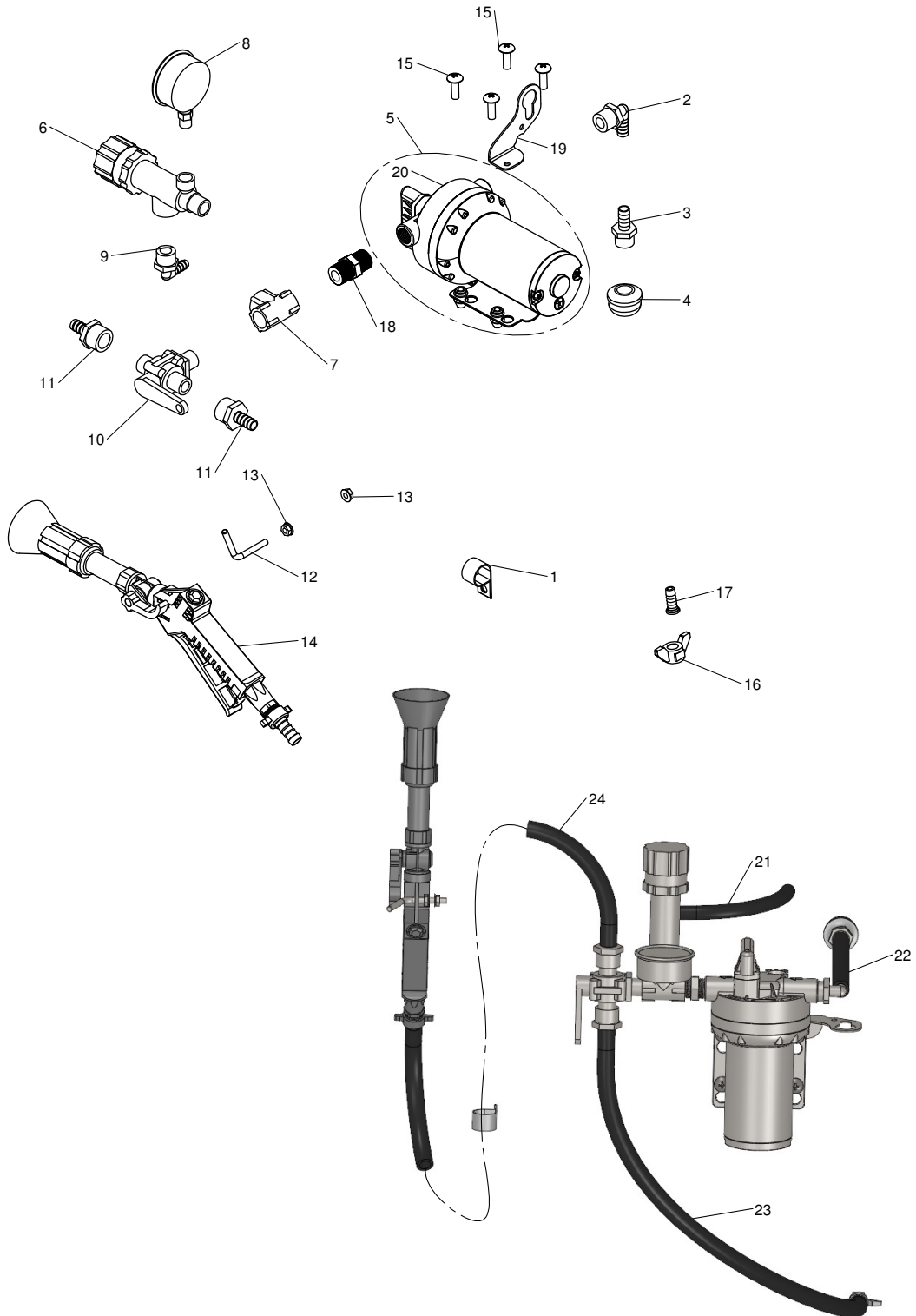


ITEM NO.	PART NUMBER	DESCRIPTION	QTY.	Note
1	5CS43673	Spray Wand w/ Brass Tip	1	
2	5CS43674	Hose Holder 3/8"	1	
3	5CS43918	Pump 2.2 GPM 100 PSI	1	
4	5CS43183	Elbow 3/8" NPT - 3/8" Barb	1	
5	5CS43235	Tee 3/8" NPT -3/8" Barb	1	

2.2 GPM Pump and Hand Sprayer

ITEM NO.	PART NUMBER	DESCRIPTION	QTY.	Note
6	5CS43181	Selector Valve 3/8"	1	
7	5CS43182	Fitting Straight 3/8" Barb	2	
8	5CS43258	Sump Strainer 3/8"	1	
9	5CS65001	#10-24 x 1" Truss Head Screw	4	
10	5CS43287	Spray Wand Clip Large	1	
11	5CS43130	Spray Wand Clip Small	1	
12	5CS43014	In-line Valve 3/8"	1	
13	5CS43973	Harness Retention Bracket	1	
14	5CS43498	Plastic Wing Nut	1	
15	5CS43499	3/8" Barb Fitting for Wing Nut	1	
16	5CS65000	#10-24 x 3/8" Truss Head Screw	2	
17	5CS43921	2.2 GPM Pump Head Replacement	1	
18		3/8" Hose	1	CTL 2.5", MF 5CS43286
19		3/8" Hose	1	CTL 8", MF 5CS43286
20		3/8" Hose	1	CTL 22", MF 5CS43286
21		3/8" Hose	1	CTL 28", MF 5CS43286
22		3/8" Hose	1	CTL 240", MF 5CS43286
-	5CS43652	Hose Clamp Screw Type 3/8" - 1/2"	8	Not Illustrated
-	5CS43844	Grommet 5/8" ID	2	Not Illustrated

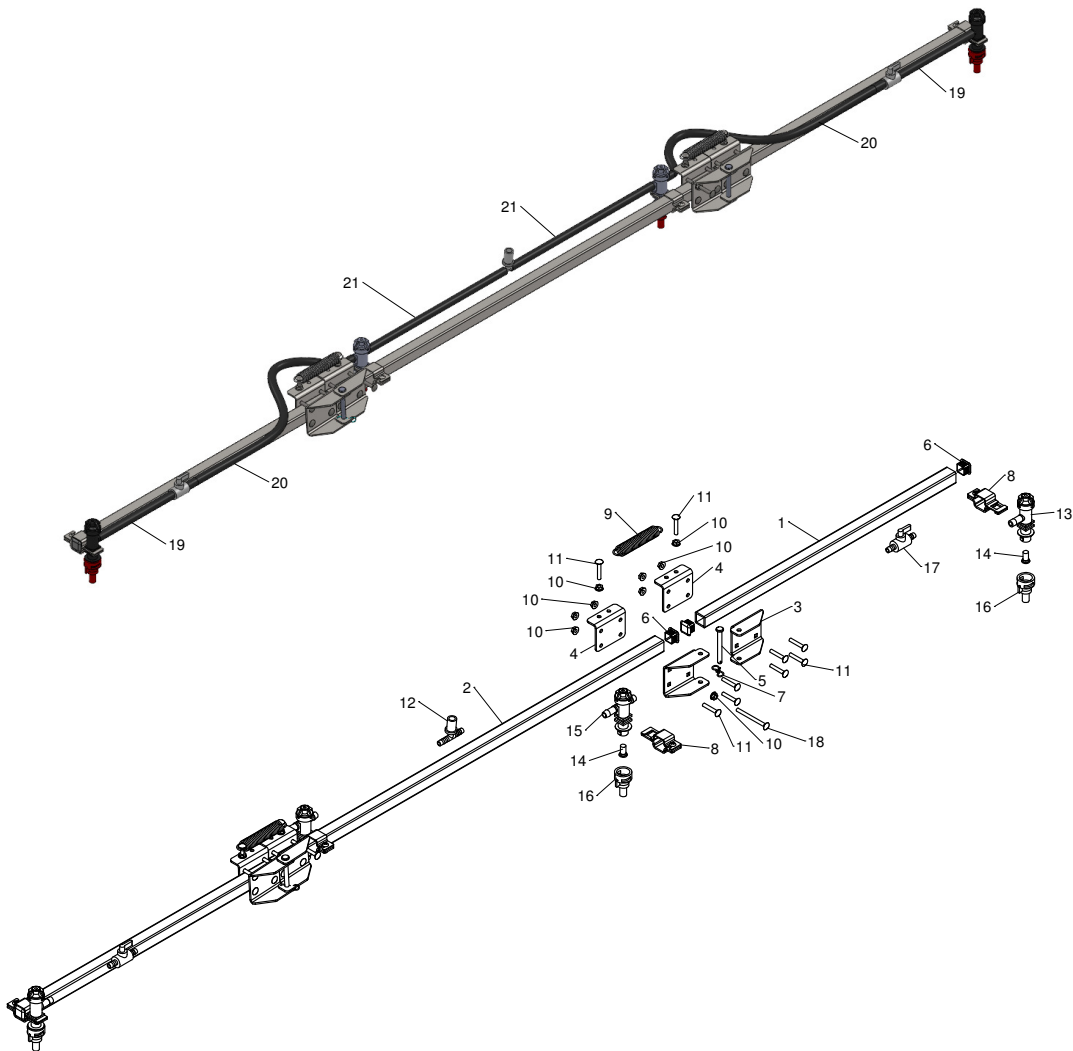
4.0 GPM Pump and Hand Sprayer



4.0 GPM Pump and Hand Sprayer

ITEM NO.	PART NUMBER	DESCRIPTION	QTY.	Note
1	5CS43663	Hose Holder 1/2"	1	
2	5CS43803	Elbow 1/2" Barb - 1/2" NPT	1	
3	5CS43423	Fitting 1/2" Barb - 1/2" MP	1	
4	5CS43422	Sump Strainer 1/2"	1	
5	5CS43791	Pump 4.0 GPM 100 PSI	1	
6	5CS43591	Relief Valve 1/2"	1	
7	5CS43424	Tee 1/2" NPT	1	
8	5CS43593	Pressure Gauge	1	
9	5CS43590	Elbow 3/8" Barb - 1/2" NPT M	1	
10	5CS43430	Selector Valve	1	
11	5CS43587	Fitting 1/2" Barb - 1/2" NPT F	2	
12	5CS62008	1/4" Bent Pin	1	
13	N10217	1/4" Flange Nut	2	
14	5CS43435	Sprayer Handgun	1	
15	5CS65001	#10-24 x 1" Truss Head Screw	4	
16	5CS43498	Plastic Wing Nut	1	
17	5CS43426	Fitting Straight 1/2" Barb	1	
18	5CS43802	Pipe Nipple 1/2" NPT - 1/2" NPT	1	
19	5CS43973	Harness Retention Bracket	1	
20	5CS43889	4.0 GPM Pump Head Replacement	1	
21		3/8" Hose	1	CTL 12", MF 5CS43286
22		1/2" Hose	1	CTL 22", MF 5CS43418
23		1/2" Hose	1	CTL 28", MF 5CS43418
24		1/2" Hose	1	CTL 240", MF 5CS43418
-	5CS43652	Hose Clamp Screw Type 3/8" - 1/2"	5	Not Illustrated
-	5CS43844	Grommet 5/8" ID	1	For Item No. 21, Not Illustrated
-	5CS43854	Grommet 3/4" ID	1	For Item No. 22, Not Illustrated

10' Folding Boom

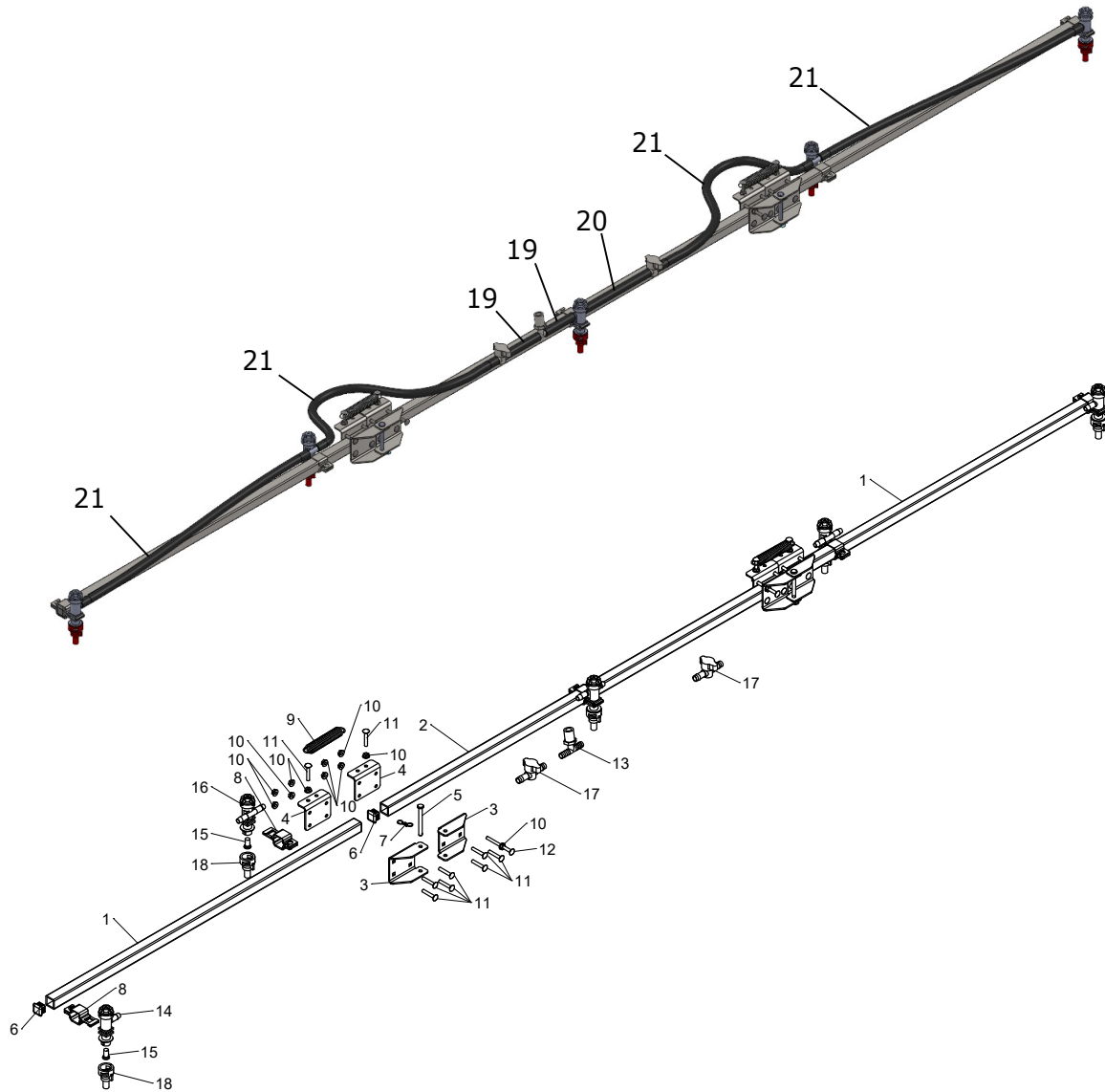


ITEM NO.	PART NUMBER	DESCRIPTION	QTY.	Note
1	5CS60084	Side Boom Tube 26"	2	
2	5CS60082	Center Boom Tube 40"	1	
3	5CS43849	Boom Hinge Bracket	4	
4	5CS43389	Boom Hinge Backing Plate	4	
5	5CS43402	5/16" x 3" Clevin Pin	2	
6	5CS43401	Plastic End Cap 1"	6	
7	5CS43624	Small Bowtie Clip	2	
8	5CS43598	Square Tube Clamp 1"	4	
9	5CS43403	Spring 3/4" x 3-3/4" x .105	2	
10	N10217	1/4" Flange Nut	26	

10' Folding Boom

ITEM NO.	PART NUMBER	DESCRIPTION	QTY.	Note
11	03H1810	1/4" x 1-1/2" Carriage Bolt	18	
12	5CS43192	Tee 3/8 Barb w/ Nut	1	
13	5CS43406	Nozzle Body Single Hose 3/8"	2	
14	5CS43411	Spray Tip Screen	4	
15	5CS43405	Nozzle Body Dual Hose 3/8"	2	
16	5CS43843	Air Induction Spray Tip 0.4 gpm	4	
17	5CS43014	In-line Valve 3/8"	2	
18	FH325451	1/4" x 3" Carriage Bolt	2	
19		3/8" Hose	2	CTL 4", MF 5CS43286
20		3/8" Hose	2	CTL 14.5", MF 5CS43286
21		3/8" Hose	2	CTL 29", MF 5CS43286
-	5CS43652	Hose Clamp Screw Type 3/8" - 1/2"	12	Not Illustrated

12.5' Folding Boom

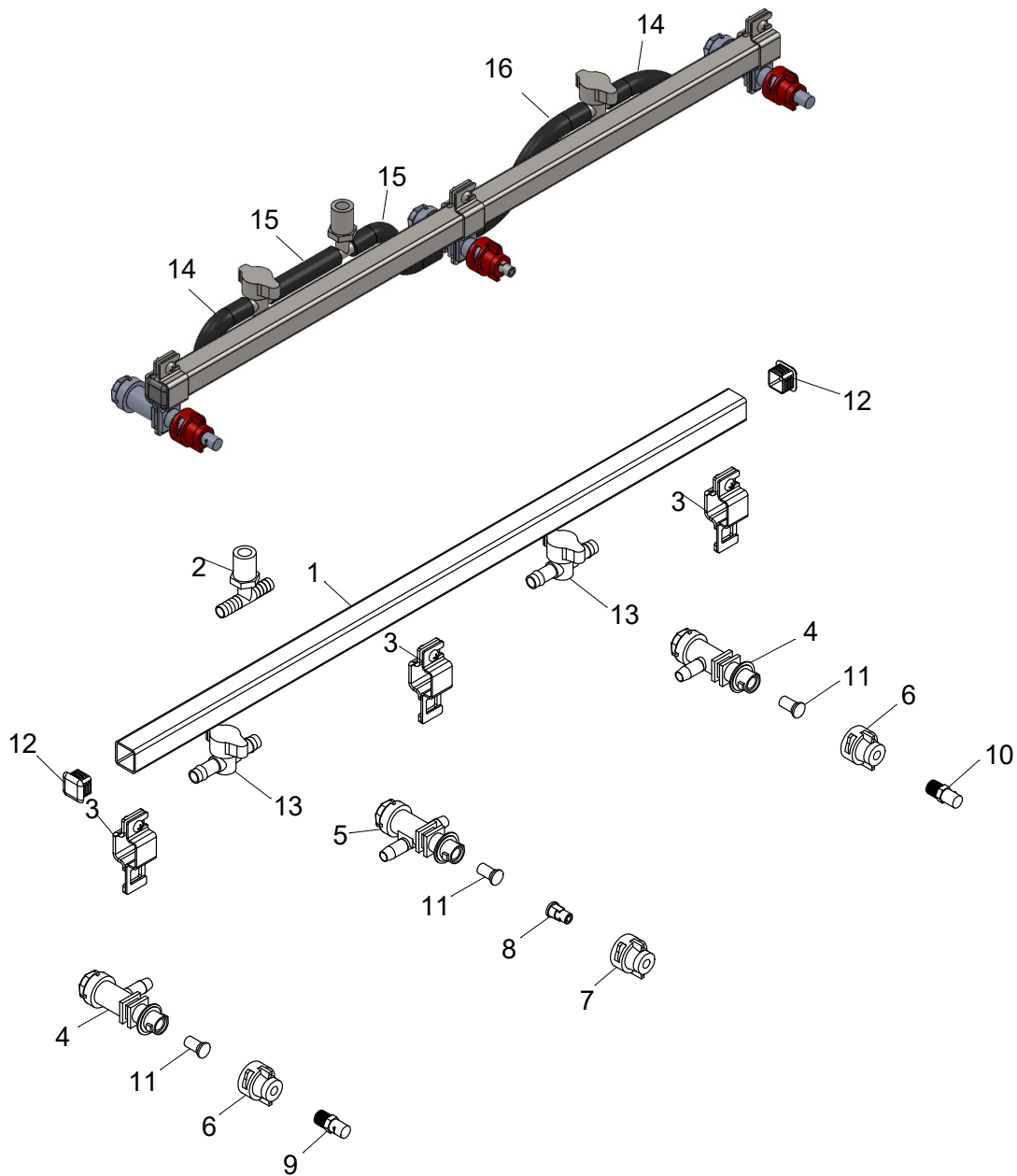


ITEM NO.	PART NUMBER	DESCRIPTION	QTY.	Note
1	5CS60085	Side Boom Tube 37"	2	
2	5CS60083	Center Boom Tube 48"	1	
3	5CS43849	Boom Hinge Bracket	4	
4	5CS43389	Boom Hinge Backing Plate	4	
5	5CS43402	5/16" x 3" Clevin Pin	2	
6	5CS43401	Plastic End Cap 1"	6	
7	5CS43624	Small Bowtie Clip	2	
8	5CS43598	Square Tube Clamp 1"	5	

12.5' Folding Boom

ITEM NO.	PART NUMBER	DESCRIPTION	QTY.	Note
9	5CS43403	Spring 3/4" x 3-3/4" x .105	2	
10	N10217	1/4" Flange Nut	26	
11	03H1810	1/4" x 1-1/2" Carriage Bolt	18	
12	FH325451	1/4" x 3" Carriage Bolt	2	
13	5CS43597	Tee 1/2" Barb - 1/2" NPT F	1	
14	5CS43658	Nozzle Body Single Hose 1/2"	2	
15	5CS43411	Spray Tip Screen	5	
16	5CS43595	Nozzle Body Dual Hose 1/2"	3	
17	5CS43736	In-line Valve 1/2"	2	
18	5CS43843	Air Induction Spray Tip 0.4 gpm	5	
19		1/2" Hose	2	CTL 2.5", MF 5CS43418
20		1/2" Hose	1	CTL 6", MF 5CS43418
21		1/2" Hose	4	CTL 19.25", MF 5CS43418
-	5CS43652	Hose Clamp Screw Type 3/8" - 1/2"	14	Not Illustrated

Boomless 24' Spray



ITEM NO.	PART NUMBER	DESCRIPTION	QTY.	Note
1	5CS61020	Boom Tube 31"	1	
2	5CS43597	Tee 1/2" Barb - 1/2" NPT F	1	
3	5CS43598	Square Tube Clamp 1"	3	
4	5CS43658	Nozzle Body Single Hose 1/2"	2	
5	5CS43595	Nozzle Body Dual Hose 1/2"	1	